

Electrical features

- Max. 10 A
- Maximal operating voltage: 220V AC
- Polarity: 11 + E
- Equipped with silver-nickel butt-contacts for added reliability and lifetime
- Socket-outlet safety shutter provides **IP2X** protection with open lid
- Soldered joint max 2.5 mm²
- Only pluggable when disconnected from voltage
- At least 2000 operations can be performed

Mechanical features

- IP65 as soon as the plug is connected
- Casings made of metal protected against corrosion (IK09)
- Operating temperature: -20 °C to +40 °C
- Cable entry point max. M32
- Interlocking is performed via triangular screw

Regulatory features

The PXN 12c plugs and socket-outlets can be used in zones 1 and 2 (*gas*) and zones 21 and 22 (*dust*).

They comply with:

- The **ATEX 94/9/CE** directives
- The **EN 60079-0, EN 60079-7, EN 61241-0** and **EN 61241-1** european harmonised standards
- The **IEC 60079-0, IEC 60079-7, IEC 61241-0** and **IEC 61241-1** international standards

Specification
Multicontact plugs and socket-outlets, IP 65, 'e' protection for explosive atmospheres (ATEX), comply with BECMA international standard.

Applications

- Power supply to machines and equipment in explosive atmospheres
- For command and control purposes, i.e.
 - Wastewater treatment
 - Tunnel equipment
 - Refineries
 - Engineering
 - Food industry...



PXN 12C

Multicontact Plugs & socket-outlets

NEW!



Wall mounting socket



Plug



Main features:

- IP 65
- IK 09
- U_{max} AC 220V

Ex II 2 G/D EX e II
tD A21 IP 65
-40 °C ≤ Ta ≤ +60 °C T6 T85 °C
LCIE 07 ATEX 6070 X
LCIE Ex 07.010 X

Dimensions see page 22

Entry	Ø	Voltage	Polarity	Part #
M32	12-21 mm	220V	11P+E	06 V0111
M25	9-16 mm	220V	11P+E	06 V0111 25M

Entry	Ø	Voltage	Polarity	Part #
M32	12-21 mm	220V	11P+E	06 V1111
M25	9-16 mm	220V	11P+E	06 V1111 25M

Inclined socket



Voltage	Polarity	Part #
220V	11P+E	06 V7111

Inclined appliance inlet



Voltage	Polarity	Part #
220V	11P+E	06 V9111

Coupler socket



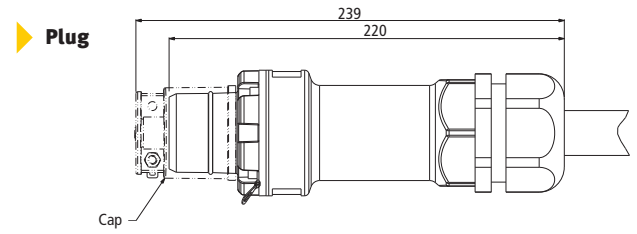
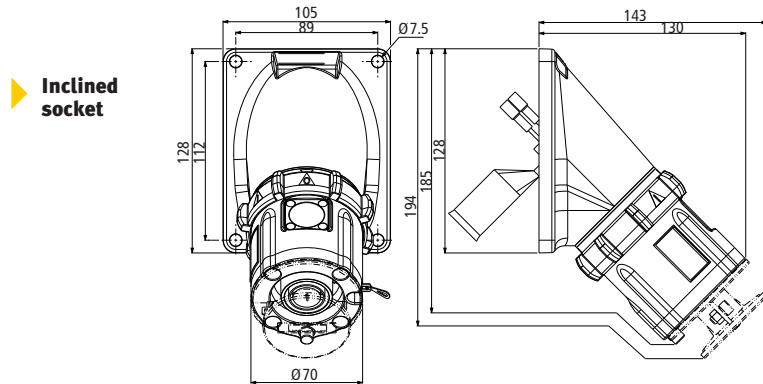
Entry	Ø	Voltage	Polarity	Part #
M32	12-21 mm	220V	11P+E	06 V3111
M25	9-16 mm	220V	11P+E	06 V3111 25M

Wall mounting appliance inlet

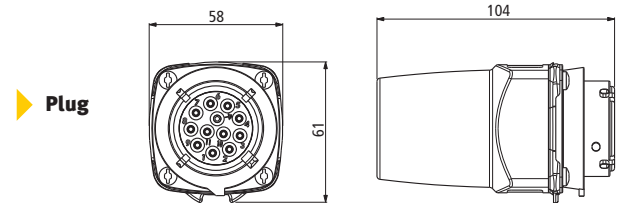
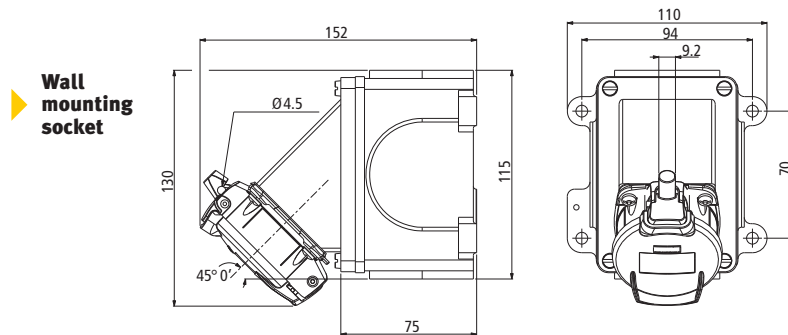


Entry	Ø	Voltage	Polarity	Part #
M32	12-21 mm	220V	11P+E	06 V6111
M25	9-16 mm	220V	11P+E	06 V6111 25M

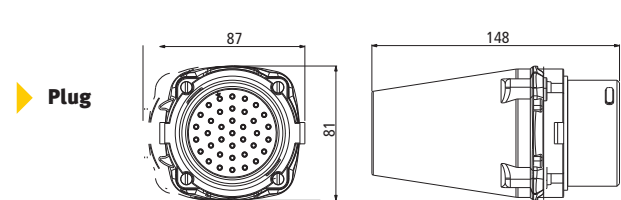
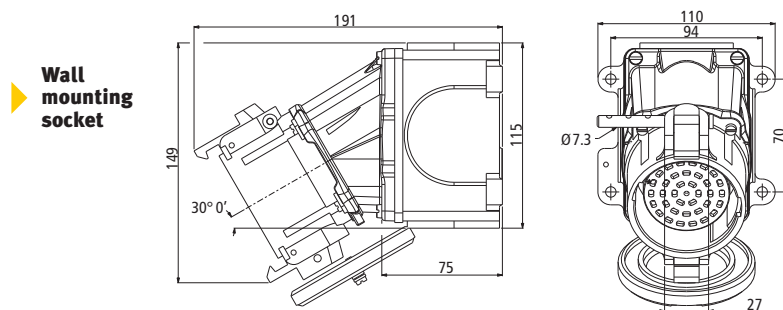
SPX Dimensions



PXN 12C Dimensions



DXN 37C Dimensions



PARTNERS AND DISTRIBUTORS IN:

Austria
Croatia
Czech Republic
Denmark
Estonia
Hungary
Latvia
Lithuania
Macedonia
Poland
Romania
Russia
Slovakia
Slovenia
Sweden
Switzerland

Your  distributor:



ISV Industrie Steck-Vorrichtungen GmbH

Im Lossenfeld 8 · D-77731 Willstätt-Sand

Tel.: +49 (0) 78 52 / 91 96-0 · Fax: +49 (0) 78 52 / 91 96-19

E-Mail: info@isv.de · www.isv.de

**ISV is a member of the international Butt-contact Electrical
Connectors Manufacturers' Association (BECMA)**

