

Electrical features

- Max. 5A
- Maximal operating voltage: 220V AC
- Polarity: 36 + E
- Equipped with silver-nickel butt-contacts for added reliability and lifetime
- Socket-outlet safety shutter provides **IP2X** protection with open lid
- Soldered joint max 2.5 mm²
- Only pluggable when disconnected from voltage
- At least 2000 operations can be performed

Mechanical features

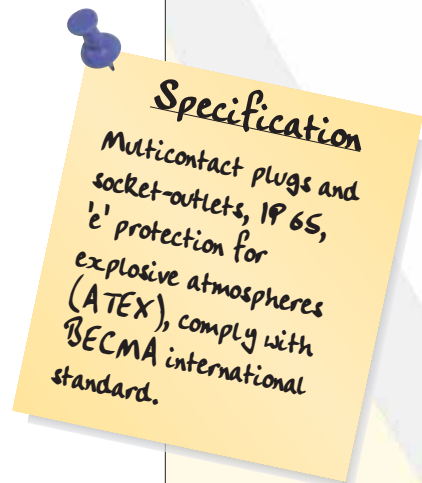
- IP65 as soon as the plug is connected
- Casings made of metal protected against corrosion (IK09)
- Operating temperature: -40°C to +60 °
- Cable entry point max. M40
- Interlocking is performed via padlock

Regulatory features

The DXN 37c plugs and socket-outlets can be used in zones 1 and 2 (*gas*) and zones 21 and 22 (*dust*).

They comply with:

- The **ATEX 94/9/CE** directives
- The **EN 60079-0**, **EN 60079-7**, **EN 61241-0** and **EN 61241-1** european harmonised standards
- The **IEC 60079-0**, **IEC 60079-7**, **IEC 61241-0** and **IEC 61241-1** international standards



Applications

- Power supply to machines and equipment in explosive atmospheres
- For command and control purposes, i.e.
 - Wastewater treatment
 - Tunnel equipment
 - Refineries
 - Engineering
 - Food industry...



DXN 37C

Multicontact Plugs & socket-outlets

NEW!



Wall mounting socket



Plug



Main features:

- IP 65
- IK 09
- U_{max} AC 220V

Ex II 2 G/D EX e II
tD A21 IP 65

-40 °C ≤ Ta ≤ +40 °C T6 T66 °C
-40 °C ≤ Ta ≤ +60 °C T6 T86 °C
LCIE 07 ATEX 6071 X
LCIE Ex 07.011 X

Dimensions see page 22

| Entry | Ø | Voltage | Polarity | Part # |
|-------|----------|---------|----------|--------------|
| M40 | 16-27 mm | 220 V | 36P+E | 36 V0361 |
| M32 | 12-21 mm | 220 V | 36P+E | 36 V0361 32M |

| Entry | Ø | Voltage | Polarity | Part # |
|-------|----------|---------|----------|--------------|
| M40 | 16-27 mm | 220 V | 36P+E | 36 V1361 |
| M32 | 12-21 mm | 220 V | 36P+E | 36 V1361 32M |

Inclined socket



Inclined appliance inlet



| Voltage | Polarity | Part # |
|---------|----------|----------|
| 220 V | 36P+E | 36 V7361 |

| Voltage | Polarity | Part # |
|---------|----------|----------|
| 220 V | 36P+E | 36 V9361 |

Coupler socket



Wall mounting appliance inlet

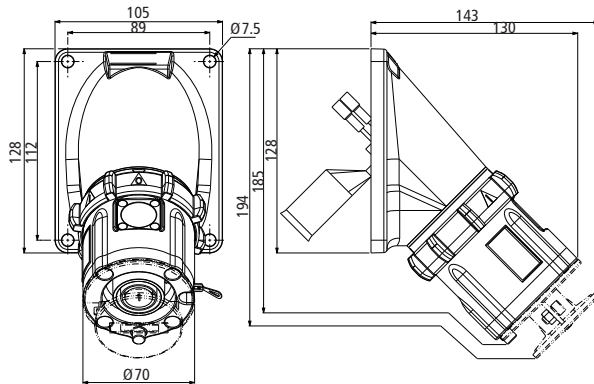


| Entry | Ø | Voltage | Polarity | Part # |
|-------|----------|---------|----------|--------------|
| M40 | 16-27 mm | 220 V | 36P+E | 36 V3361 |
| M32 | 12-21 mm | 220 V | 36P+E | 36 V3361 32M |

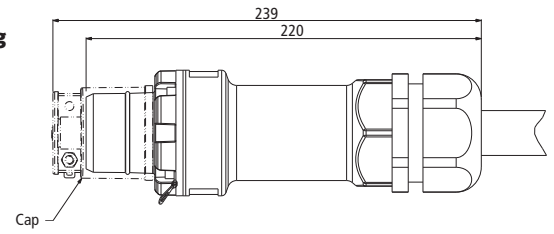
| Entry | Ø | Voltage | Polarity | Part # |
|-------|----------|---------|----------|--------------|
| M40 | 16-27 mm | 220 V | 36P+E | 36 V6361 |
| M32 | 12-21 mm | 220 V | 36P+E | 36 V6361 32M |

SPX Dimensions

▶ **Inclined socket**

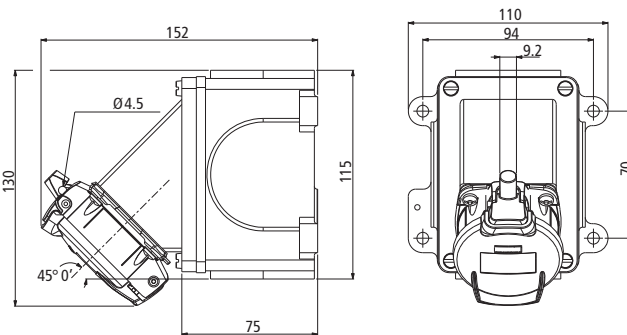


▶ **Plug**

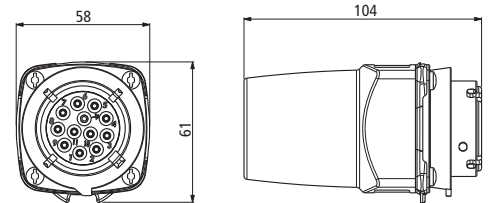


PXN 12C Dimensions

▶ **Wall mounting socket**

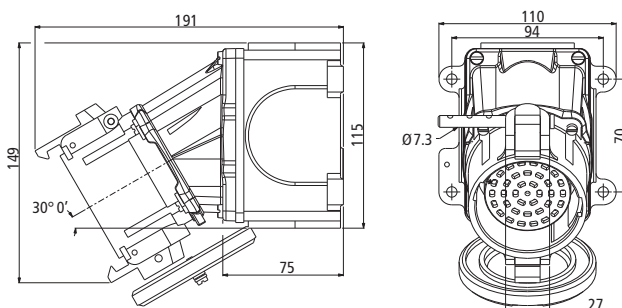


▶ **Plug**

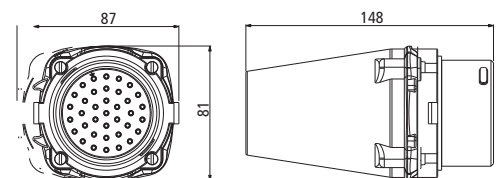


DXN 37C Dimensions

▶ **Wall mounting socket**



▶ **Plug**



PARTNERS AND DISTRIBUTORS IN:

Austria
Croatia
Czech Republic
Denmark
Estonia
Hungary
Latvia
Lithuania
Macedonia
Poland
Romania
Russia
Slovakia
Slovenia
Sweden
Switzerland

Your  distributor:



ISV Industrie Steck-Vorrichtungen GmbH

Im Lossenfeld 8 · D-77731 Willstätt-Sand

Tel.: +49 (0) 78 52 / 91 96-0 · Fax: +49 (0) 78 52 / 91 96-19

E-Mail: info@isv.de · www.isv.de

**ISV is a member of the international Butt-contact Electrical
Connectors Manufacturers' Association (BECMA)**

